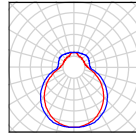


# ALTAIR 1



## TECHNICAL DATA

Light source	LED module Osmont L35C	incandescent lamp
Chromacity temperature	3000K, 4000K	by source
CRI	3000K Ra>80, 4000K Ra>80	by source
Power source	Tridonic	-
Lifetime of LED	50 000 hod / L80B10 (ambient temperature 25°C)	by source
Energy class	A++	by source
Photobiological safety of lamps by EN 62471 (Blue light hazard)	safe (Risk group – 0)	by source
Input voltage	230V	
IP	IP41	
Ambient temperature	from -20°C to +30°C	
Warranty	5 years	
Fixture	metal	
Color of fixture	white	
Shade	three layers glass with matt surface	
Shade attachment	with folding holders	
Mounting	wall, ceiling	
Applications	housing constructions (rooms, corridors), cultural premises	

## VARIANTS

LED:

Type	Input [W]	Luminous flux LED [lm]		Luminous flux of luminaire [lm]		Possibility
		3000K	4000K	3000K	4000K	DIM (DALI)
LED-1L35C07U20/420.000	21	2770	2920	2110	2220	*

LED emergency combined:

Type	Input [W]	Luminous flux LED [lm]		Luminous flux of luminaire [lm]		Luminous flux LED in emergency mode		T [hrs]	Type of battery
		3000K	4000K	3000K	4000K	[%]	[lm]		
LED-1L35C07U20/420/NK1W.000	21	2770	2920	2110	2220	5	150	3	Ni-Cd (3,6V/1,6Ah)

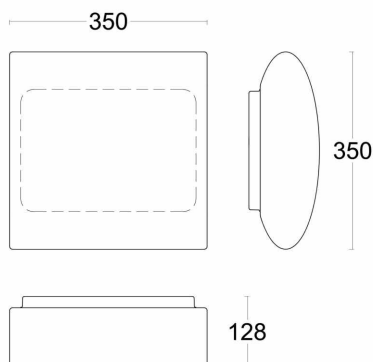
.000 – 3000K or 4000K

STANDARD:

Type	Input [W]	Socket
IN-22U20/420	2x40	2xE27

## DIMENSIONS

DIMENSIONS OF LUMINAIRE [mm]:



MOUNTING DIMENSIONS [mm]:

