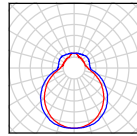


ALTAIR 2



TECHNICAL DATA

Light source	LED module Osmont L35C	incandescent lamp
Chromacity temperature	3000K, 4000K	by source
CRI	3000K Ra>80, 4000K Ra>80	by source
Power source	Tridonic	-
Lifetime of LED	50 000 hod / L80B10 (ambient temperature 25°C)	by source
Energy class	A++	by source
Photobiological safety of lamps by EN 62471 (Blue light hazard)	safe (Risk group – 0)	by source
Input voltage	230V	
IP	IP41	
Ambient temperature	from -20°C to +30°C	
Warranty	5 years	
Fixture	metal	
Color of fixture	white	
Shade	three layers glass with matt surface	
Shade attachment	with folding holders	
Mounting	wall, ceiling	
Applications	housing constructions (rooms, corridors), cultural premises	

VARIANTS

LED:

Type	Input [W]	Luminous flux LED [lm]		Luminous flux of luminaire [lm]		Possibility DIM (DALI)
		3000K	4000K	3000K	4000K	
LED-1L35C07U21/421.000	21	2770	2920	2110	2220	*

LED emergency combined:

Type	Input [W]	Luminous flux LED [lm]		Luminous flux of luminaire [lm]		Luminous flux LED in emergency mode		T [hrs]	Type of battery
		3000K	4000K	3000K	4000K	[%]	[lm]		
LED-1L35C07U21/421/NK1W.000	21	2770	2920	2110	2220	5	150	3	Ni-Cd (3,6V/1,6Ah)

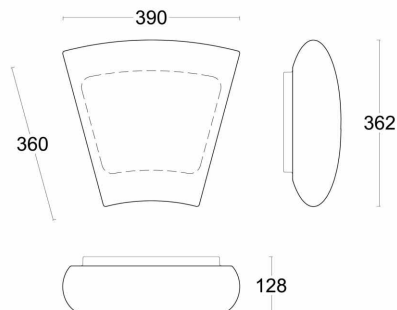
.000 – 3000K or 4000K

STANDARD:

Type	Input [W]	Socket
IN-22U21/421	2x40	2xE27

DIMENSIONS

DIMENSIONS OF LUMINAIRE [mm]:



MOUNTING DIMENSIONS [mm]:

