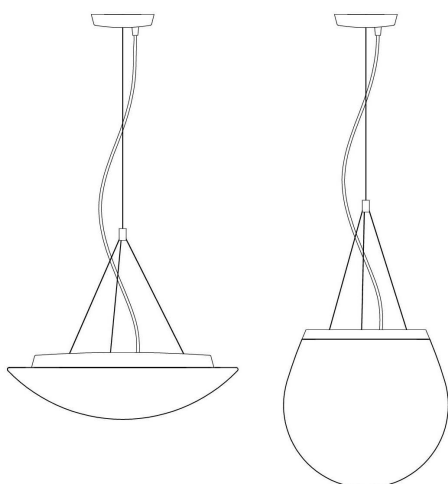


## INSTALLATION INSTRUCTIONS

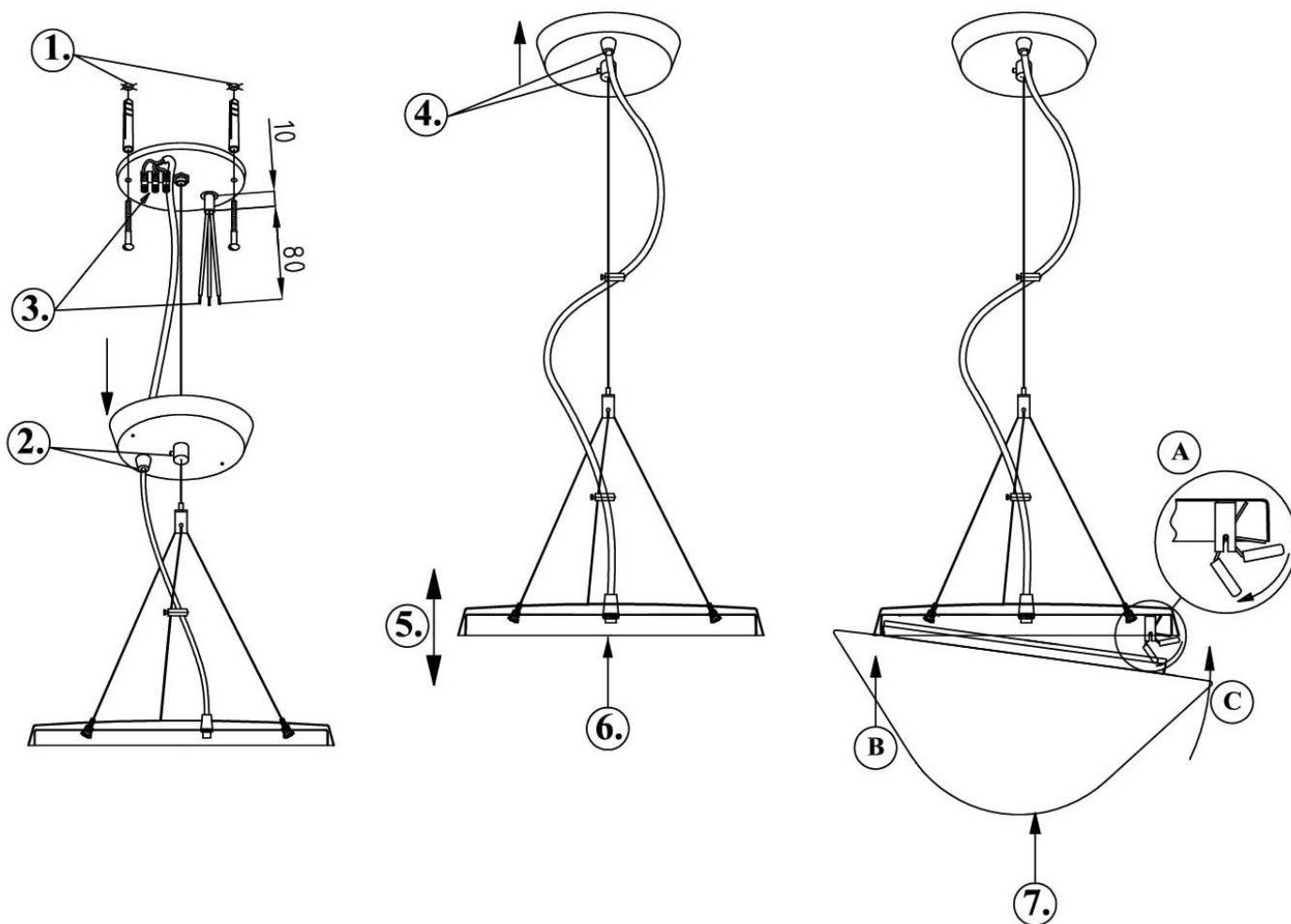
type: AURA (T5,T9), CRATER T5, DRACO T5, EDNA T5, DANAE 2

osmont



The luminaire can be used only as ceiling.

- check, if the electrical supply is switched off
- bore the holes (1) in the ceiling according to the enclosed template
- loosen the cable grommet and the wire clamp (2) and dislocate the cover bowl from the assembly bowl
- extend the input cable through the hole in the assembly bowl and fix the bowl to the ceiling by using screws, connect the input conductors in the terminal block (3)
- move the cover bowl to the ceiling and tighten the cable grommet and the detent screw (4)
- loosen the matrixes of all the three self grip holders and balance the lighting fitting, tighten the matrixes (5)
- install the light source (see to the label on the luminaire) (6)
- put the shade on (7)



### Electrical installation and safety :

Generally it is necessary to follow the EU regulations. At any revisions or service activity it is necessary to disconnect lighting fitting from the electrical network. Only qualified and experienced personnel must undertake this work