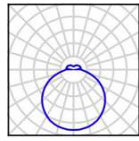


DELIA 1AA,1A,1,2A,2,3,4,5 / DELIA C1A,C1,C2A,C2,C3,C4,C5



DELIA C
decorative stripe – black matt

TECHNICAL DATA

Light source	LED module Osmont L10C, L12B, L12C, L14B, L14C, L16B, L16C, L17B, L20C, L51B, L52B, L53C	incandescent lamp
Chromacity temperature	3000K, 4000K	by source
CRI	3000K Ra>80, 4000K Ra>80	by source
Power source	Tridonic	-
Lifetime of LED	50 000 hrs / L80B10 (ambient temperature 25°C)	by source
Energy class	A++	by source
Photobiological safety of lamps by EN 62471 (Blue light hazard)	safe (Risk group – 0)	by source
Input voltage	230V	
IP	IP44, IP54 (LED)	
Ambient temperature	from -20°C to +30°C	
Shock resistance	IK10 (shade PC)	
Warranty	5 years	
Fixture	metal	
Color of fixture	white	
Shade	opal polycarbonate (PC) or opal polymethylmetacrylate (PM)	
Shade attachment	with folding holders	
Mounting	wall, ceiling	
Applications	housing constructions (rooms, corridors), cultural premises	

VARIANTS

LED:

Type	Input [W]	Luminous flux LED [lm]		Luminous flux of luminaire [lm]				Number of LED drivers	Possibility			
		3000K	4000K	3000K		4000K			Sensor (HF)	DIM (DALI)	Corridor (DALI+HF)	
				PC	PM	PC	PM					
DELIA 1AA	LED-1L10C03KN22/PC20_000	5	620	650	460	-	480	-	1	-	-	-
DELIA 1A	LED-1L12C03KN32/Px21_000	9	1080	1140	800	-	840	-	1	*	*	-
	LED-1L12B07KN32/Px21_000	11	1290	1350	950	-	1000	-	1	*	*!	-
DELIA C1A	LED-1L12C03KN32/Px21C_000	9	1080	1140	590	-	630	-	1	*	*	-
	LED-1L12B07KN32/Px21C_000	11	1290	1350	710	-	740	-	1	*	*!	-
DELIA 1	LED-1L14C03KN62/Px22_000	15	2000	2110	1480	1440	1560	1520	1	*	*	-
	LED-1L14B07KN62/Px22_000	20	2590	2700	1920	1860	2000	1940	1	*	*	-
DELIA C1	LED-1L14C03KN62/Px22C_000	15	2000	2110	1100	1100	1160	1160	1	*	*	-
	LED-1L14B07KN62/Px22C_000	20	2590	2700	1430	1430	1490	1490	1	*	*	-
DELIA 2A	LED-1L17B05KN73/PC19_000	19	2680	2800	1750	-	1830	-	1	*	*	*
	LED-1L17B07KN73/PC19_000	27	3590	3750	2350	-	2450	-	1	*	*	*
DELIA C2A	LED-1L17B05KN73/PC19C_000	19	2680	2800	1470	-	1540	-	1	*	*	*
	LED-1L17B07KN73/PC19C_000	27	3590	3750	1980	-	2060	-	1	*	*	*
DELIA 2	LED-1L16C07KN83/Px23_000	28	3690	3890	2580	2580	2720	2720	1	*	*	*
	LED-1L16B07KN83/Px23_000	36	4850	5070	3400	3400	3550	3550	1	*	*	*
DELIA C2	LED-1L16C07KN83/Px23C_000	28	3690	3890	2030	2030	2140	2140	1	*	*	*
	LED-1L16B07KN83/Px23C_000	36	4850	5070	2670	2670	2790	2790	1	*	*	*
DELIA 3	LED-1L20C07KN94/Px24_000	35	4750	5010	3140	3140	3310	3310	1	*	*	*
	LED-1L20C10KN94/Px24_000	53	6780	7150	4470	4470	4720	4720	1	*	*	*
DELIA C3	LED-3L53CT10KN94/Px24 2700-6500	53	6980*		4610*				1	-	-	-
	LED-1L20C07KN94/Px24C_000	35	4750	5010	2610	2610	2760	2760	1	*	*	*
	LED-1L20C10KN94/Px24C_000	53	6780	7150	3730	3730	3930	3930	1	*	*	*
DELIA 4	LED-3L53CT10KN94/Px24C 2700-6500	53	6980*		3840*				1	-	-	-
	LED-6L51B07KN10/PM25_000	68	10210	10670	-	6940	-	7260	2	-	*	-
	LED-6L51B10KN10/PM25_000	109	14790	15450	-	10060	-	10510	2	-	*	-
DELIA C4	LED-6L51B07KN10/PM25C_000	68	10210	10670	-	5620	-	5870	2	-	*	-
	LED-6L51B10KN10/PM25C_000	109	14790	15450	-	8140	-	8500	2	-	*	-
DELIA 5	LED-9L52B07KN11/PM26_000	104	15310	16000	-	10720	-	11200	3	-	*	-
	LED-9L52B10KN11/PM26_000	165	22180	23170	-	15530	-	16220	3	-	*	-
DELIA C5	LED-9L52B07KN11/PM26C_000	104	15310	16000	-	8420	-	8800	3	-	*	-
	LED-9L52B10KN11/PM26C_000	165	22180	23170	-	12200	-	12740	3	-	*	-

Px – shade PC or PM
 .000 – 3000K or 4000K
 * - 6500K
 ! - cannot be controlled with a switch (Switch DIM)

LED emergency and emergency combined:

	Type	Input [W]	Luminous flux LED [lm]		Luminous flux of luminaire [lm]				Luminous flux LED in emergency mode		T [hrs]	Type of battery
			3000K	4000K	3000K		4000K		[%]	[lm]		
					PC	PM	PC	PM				
DELIA 1A	LED-NZ1W/Px21.000	1	-	150	-	-	110	-	100	150	3	Ni-Cd (3,6V/1,5Ah)
DELIA C1A	LED-NZ1W/Px21C.000	1	-	150	-	-	100	-	100	150	3	Ni-Cd (3,6V/1,5Ah)
DELIA 1	LED-1L14C03KN62/Px22/NK1W.000	15	2000	2110	1480	1440	1560	1520	7	150	3	Ni-Cd (3,6V/1,5Ah)
	LED-1L14B07KN62/Px22/NK1W.000	20	2590	2700	1920	1860	2000	1940	6	150	3	Ni-Cd (3,6V/1,5Ah)
DELIA C1	LED-1L14C03KN62/Px22C/NK1W.000	15	2000	2110	1100	1100	1160	1160	7	150	3	Ni-Cd (3,6V/1,5Ah)
	LED-1L14B07KN62/Px22C/NK1W.000	20	2590	2700	1430	1430	1490	1490	6	150	3	Ni-Cd (3,6V/1,5Ah)
DELIA 2A	LED-1L17B05KN73/PC19/NK1W.000	19	2680	2800	1750	-	1830	-	5	150	3	Ni-Cd (3,6V/1,5Ah)
	LED-1L17B07KN73/PC19/NK1W.000	27	3590	3750	2350	-	2450	-	4	150	3	Ni-Cd (3,6V/1,5Ah)
DELIA C2A	LED-1L17B05KN73/PC19C/NK1W.000	19	2680	2800	1470	-	1540	-	5	150	3	Ni-Cd (3,6V/1,5Ah)
	LED-1L17B07KN73/PC19C/NK1W.000	27	3590	3750	1980	-	2060	-	4	150	3	Ni-Cd (3,6V/1,5Ah)
DELIA 2	LED-1L16C07KN83/Px23/NK1W.000	28	3690	3890	2580	2580	2720	2720	4	150	3	Ni-Cd (3,6V/1,5Ah)
	LED-1L16B07KN83/Px23/NK1W.000	36	4850	5070	3400	3400	3550	3550	3	150	3	Ni-Cd (3,6V/1,5Ah)
DELIA C2	LED-1L16C07KN83/Px23C/NK1W.000	28	3690	3890	2030	2030	2140	2140	4	150	3	Ni-Cd (3,6V/1,5Ah)
	LED-1L16B07KN83/Px23C/NK1W.000	36	4850	5070	2670	2670	2790	2790	3	150	3	Ni-Cd (3,6V/1,5Ah)
DELIA 3	LED-1L20C07KN94/Px24/NK1W.000	35	4750	5010	3140	3140	3310	3310	3	150	3	Ni-Cd (3,6V/1,5Ah)
	LED-1L20C10KN94/Px24/NK1W.000	53	6780	7150	4470	4470	4720	4720	2	150	3	Ni-Cd (3,6V/1,5Ah)
DELIA C3	LED-1L20C07KN94/Px24C/NK1W.000	35	4750	5010	2610	2610	2760	2760	3	150	3	Ni-Cd (3,6V/1,5Ah)
	LED-1L20C10KN94/Px24C/NK1W.000	53	6780	7150	3730	3730	3930	3930	2	150	3	Ni-Cd (3,6V/1,5Ah)

Px - shade PC or PM
.000 - 3000K or 4000K

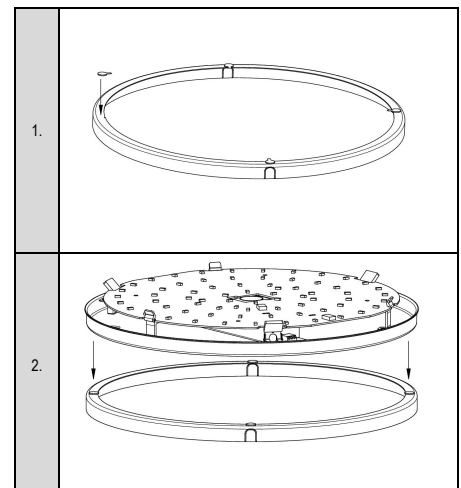
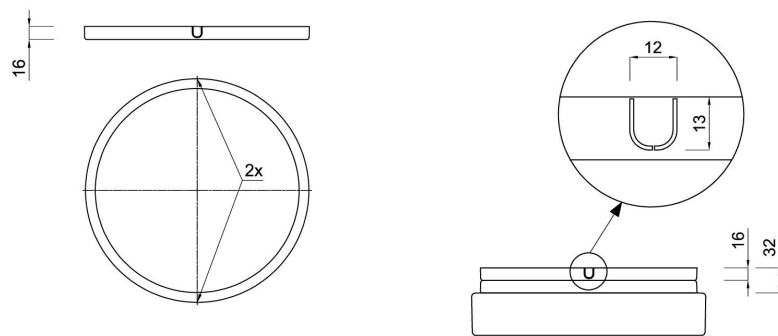
STANDARD:

	Type	Input [W]	Socket	Possibility
				Sensor (HF)
DELIA 1A	IN-12KN32/PC21	40	E27	• (1x30W)
DELIA C1A	IN-12KN32/PC21C	40	E27	• (1x30W)
DELIA 1	IN-12KN62/PC22	40	E27	• (1x30W)
	IN-12KN62/PM22	30	E27	• (1x20W)
DELIA C1	IN-12KN62/PC22C	40	E27	• (1x30W)
	IN-12KN62/PM22C	30	E27	• (1x20W)
DELIA 2A	IN-22KN73/PC19	2x40	2xE27	• (2x30W)
DELIA C2A	IN-22KN73/PC19C	2x40	2xE27	• (2x30W)
DELIA 2	IN-22KN83/PC23	2x40	2xE27	• (2x30W)
	IN-22KN83/PM23	2x30	2xE27	• (2x20W)
DELIA C2	IN-22KN83/PC23C	2x40	2xE27	• (2x30W)
	IN-22KN83/PM23C	2x30	2xE27	• (2x20W)
DELIA 3	IN-32KN94/PC24	3x40	3xE27	• (3x30W)
	IN-32KN94/PM24	3x30	3xE27	• (3x20W)
DELIA C3	IN-32KN94/PC24C	3x40	3xE27	• (3x30W)
	IN-32KN94/PM24C	3x30	3xE27	• (3x20W)
DELIA 4	IN-42KN10/PM25	4x30	4xE27	-
DELIA C4	IN-42KN10/PM25C	4x30	4xE27	-
DELIA 5	IN-62KN11/PM26	6x30	6xE27	-
DELIA C5	IN-62KN11/PM26C	6x30	6xE27	-

BASE

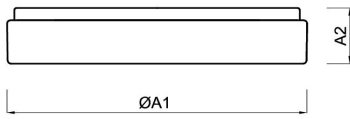
FOR SIDE SUPPLY

	BASE
DELIA 1AA	-
DELIA 1A,C1A	•
DELIA 1,C1	•
DELIA 2A,C2A	•
DELIA 2,C2	•
DELIA 3,C3	•
DELIA 4,C4	-
DELIA 5,C5	-



DIMENSIONS

DIMENSIONS OF LUMINAIRE [mm]:



	ØA1	A2
DELIA 1AA	140	65
DELIA 1A,C1A	220	70
DELIA 1,C1	300	75
DELIA 2A,C2A	360	71
DELIA 2,C2	400	80
DELIA 3,C3	500	85
DELIA 4,C4	650	80
DELIA 5,C5	900	85

MOUNTING DIMENSIONS [mm]:

DELIA 1AA		
DELIA 1A,C1A		
DELIA 1,C1		
DELIA 2A,C2A		

<p>DELIA 2,C2</p>		
<p>DELIA 3,C3</p>		
<p>DELIA 4,C4</p>		

