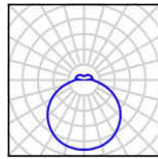


DELIA L4, L5, LC4, LC5



DELIA LC decorative stripe – black matt

TECHNICAL DATA

Light source	LED module Osmont L51B, L52B	incandescent lamp
Chromacity temperature	3000K, 4000K	by source
CRI	3000K Ra>80, 4000K Ra>80	by source
Lifetime of LED	50 000 hod / L80B10 (ambient temperature 25°C)	by source
Power source	Tridonic	-
Photobiological safety of lamps by EN 62471 (Blue light hazard)	safe (Risk group – 0)	by source
Energy class	A++	by source
Input voltage	230V	
IP	IP40	
Ambient temperature	from -20°C to +30°C	
Warranty	5 years	
Pendant	3 wire, length 1m	
Color	white	
Shade	opal polymethylmetacrylate (PM)	
Shade attachment	with folding holders	
Mounting	ceiling	
Applications	residential and office spaces	

VARIANTS

LED:

	Type	Input [W]	Luminous flux LED [lm]		Luminous flux of luminaire [lm]		Number of LED drivers	Possibility Stmivání (DALI)
			3000K	4000K	3000K	4000K		
DELIA L4	LED-6L51B07ZL11/PM25/L100.000	68	10210	10670	6940	7260	2	•
	LED-6L51B10ZL11/PM25/L100.000	109	14790	15450	10060	10510	2	•
DELIA LC4	LED-6L51B07ZL11/PM25C/L100.000	68	10210	10670	5620	5870	2	•
	LED-6L51B10ZL11/PM25C/L100.000	109	14790	15450	8140	8500	2	•
DELIA L5	LED-9L52B07ZL11/PM26/L100.000	104	15310	16000	10720	11200	3	•
	LED-9L52B10ZL11/PM26/L100.000	165	22180	23170	15530	16220	3	•
DELIA LC5	LED-9L52B07ZL11/PM26C/L100.000	104	15310	16000	8420	8800	3	•
	LED-9L52B10ZL11/PM26C/L100.000	165	22180	23170	12200	12740	3	•

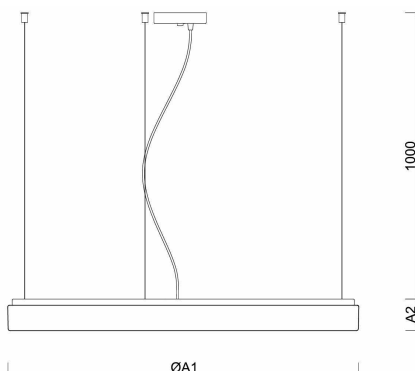
.000 – 3000K or 4000K

STANDARD:

	Type	Input [W]	Socket
DELIA L4	IN-42ZL11/PM25/L100	4x40	4xE27
DELIA LC4	IN-42ZL11/PM25C/L100	4x40	4xE27
DELIA L5	IN-62ZL11/PM26/L100	6x40	6xE27
DELIA LC5	IN-62ZL11/PM26C/L100	6x40	6xE27

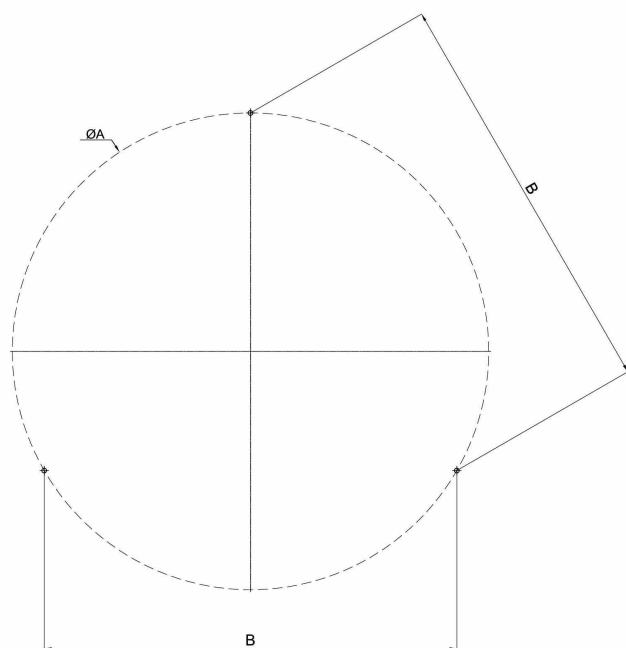
DIMENSIONS

DIMENSIONS OF LUMINAIRE [mm]:

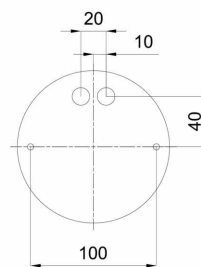


	ØA1	A2
DELIA L4, LC4	650	85
DELIA L5, LC5	900	90

MOUNTING DIMENSIONS OF WIRE PENDANT [mm]:



MOUNTING DIMENSIONS OF CEILING COVER [mm]:



	ØA	B
DELIA L4, LC4	550	476
DELIA L5, LC5	780	675,5