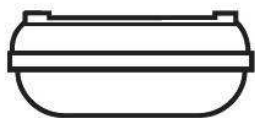


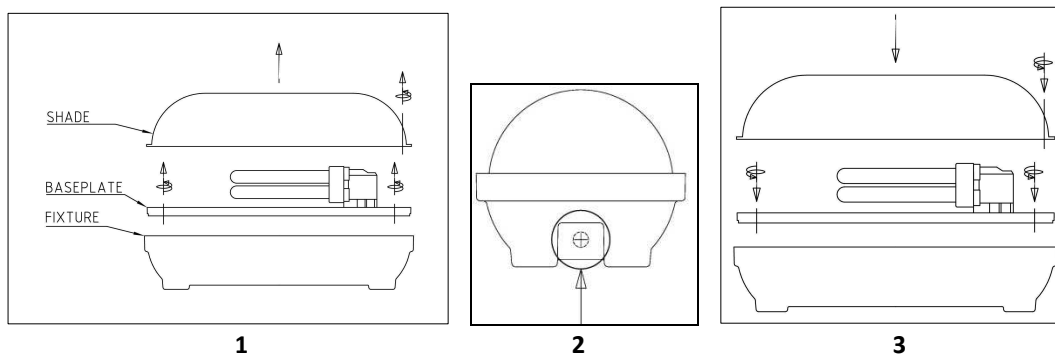
## INSTALLATION INSTRUCTIONS

type: ELEKTRA 1,2



The luminaire can be used as ceiling and wall.

- loosen the terminal screws, pull off the shade, loosen the screw on the baseplate and pull off the base (1)
- check, if the electrical supply is switched off
- cut the hole for the input cable with a knife and insert there enclosed rubber washers (2)
- extend the input cable through opening in the fixture and fix it to the wall (ceiling) by min.2 screws
- supply the input conductors with silicon sleeves
- connect the input conductors and fix the baseplate to the fixture
- install the light source (see to the label on the luminaire)
- put shade on and secure by screw (3)



### Electrical installation and safety:

Generally it is necessary to follow the EU regulations. At any revision or service activity it is necessary to disconnect lighting fitting from the electrical network. Only qualified and experienced person can do this work.