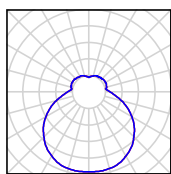
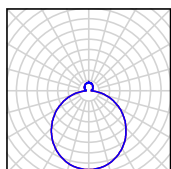


ERIS V2,V3,V4



ERIS CV2,CV3,CV4



TECHNICAL DATA

Light source	LED module Osmont L14B, L14C, L16B, L16C, L43C	incandescent lamp
Chromacity temperature	3000K, 4000K	by source
CRI	3000K Ra>80, 4000K Ra>80	by source
Power source	Tridonic	-
Lifetime of LED	50 000 hod / L80B10 (ambient temperature 25°C)	by source
Energy class	A++	by source
Photobiological safety of lamps by EN 62471 (Blue light hazard)	safe (Risk group – 0)	by source
Input voltage	230V	
IP	IP43	
Ambient temperature	from -20°C to +30°C	
Warranty	5 years	
Fixture	metal	
Color of fixture	white	
Shade	three layers glass with matt surface ERIS Cx – painted decorative stripe	
Shade attachment	with folding holders	
Mounting	recessed	
Applications	housing constructions (rooms, corridors), cultural premises	

VARIANTS

LED:

	Type	Input [W]	Luminous flux LED [lm]		Luminous flux of luminaire [lm]		Possibility		
			3000K	4000K	3000K	4000K	Sensor (HF)	DIM (DALI)	Corridor (DALI+HF)
ERIS V2	LED-1L14C03KV64/412.000	15	2000	2110	1360	1430	*	*	*
	LED-1L14B07KV64/412.000	20	2590	2700	1760	1840	*	*	*
ERIS CV2	LED-1L14C03KV64/412C.000	15	2000	2110	740	960	*	*	*
	LED-1L14B07KV64/412C.000	20	2590	2700	780	1000	*	*	*
ERIS V3	LED-1L16C07KV88/413.000	28	3690	3890	2440	2570	*	*	*
	LED-1L16B07KV88/413.000	36	4850	5070	3200	3350	*	*	*
ERIS CV3	LED-1L16C07KV88/413C.000	28	3690	3890	1290	1700	*	*	*
	LED-1L16B07KV88/413C.000	36	4850	5070	1360	1780	*	*	*
ERIS V4	LED-2L43C07KV910/414.000	37	5050	5330	3330	3520	-	*	-
	LED-2L43C10KV910/414.000	56	7250	7640	4790	5040	-	*	-
ERIS CV4	LED-2L43C07KV910/414C.000	37	5050	5330	1770	2540	-	*	-
	LED-2L43C10KV910/414C.000	56	7250	7640	1870	2670	-	*	-

.000 – 3000K or 4000K

LED emergency combined:

	Type	Input [W]	Luminous flux LED [lm]		Luminous flux of luminaire [lm]		Luminous flux LED in emergency mode		T [hrs]	Type of battery
			3000K	4000K	3000K	4000K	[%]	[lm]		
ERIS V2	LED-1L14C03KV64/412/NK1W.000	15	2000	2110	1360	1430	7	150	3	Ni-Cd (3,6V/1,5Ah)
	LED-1L14B07KV64/412/NK1W.000	20	2590	2700	1760	1840	6	150	3	Ni-Cd (3,6V/1,5Ah)
ERIS CV2	LED-1L14C03KV64/412C/NK1W.000	15	2000	2110	740	960	7	150	3	Ni-Cd (3,6V/1,5Ah)
	LED-1L14B07KV64/412C/NK1W.000	20	2590	2700	780	1000	6	150	3	Ni-Cd (3,6V/1,5Ah)
ERIS V3	LED-1L16C07KV88/413/NK1W.000	28	3690	3890	2440	2570	4	150	3	Ni-Cd (3,6V/1,5Ah)
	LED-1L16B07KV88/413/NK1W.000	36	4850	5070	3200	3350	3	150	3	Ni-Cd (3,6V/1,5Ah)
ERIS CV3	LED-1L16C07KV88/413C/NK1W.000	28	3690	3890	1290	1700	4	150	3	Ni-Cd (3,6V/1,5Ah)
	LED-1L16B07KV88/413C/NK1W.000	36	4850	5070	1360	1780	3	150	3	Ni-Cd (3,6V/1,5Ah)
ERIS V4	LED-2L43C07KV910/414/NK1W.000	37	5050	5330	3330	3520	3	150	3	Ni-Cd (3,6V/1,5Ah)
	LED-2L43C10KV910/414/NK1W.000	56	7250	7640	4790	5040	2	150	3	Ni-Cd (3,6V/1,5Ah)
ERIS CV4	LED-2L43C07KV910/414C/NK1W.000	37	5050	5330	1770	2540	3	150	3	Ni-Cd (3,6V/1,5Ah)
	LED-2L43C10KV910/414C/NK1W.000	56	7250	7640	1870	2670	2	150	3	Ni-Cd (3,6V/1,5Ah)

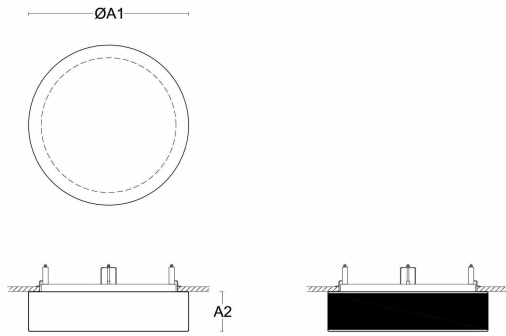
.000 – 3000K or 4000K

STANDARD:

	Type	Input [W]	Socket	Possibility Sensor (HF)
ERIS V2	IN-12KV64/412	100	E27	• (1x75W)
	IN-22KV64/412	2x75	2xE27	-
ERIS CV2	IN-12KV64/412C	100	E27	• (1x75W)
	IN-22KV64/412C	2x75	2xE27	-
ERIS V3	IN-32KV88/413	3x60	3xE27	• (2x60W)
ERIS CV3	IN-32KV88/413C	3x60	3xE27	• (2x60W)
ERIS V4	IN-32KV910/414	3x75	3xE27	-
ERIS CV4	IN-32KV910/414C	3x75	3xE27	-

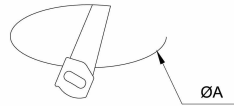
DIMENSIONS

DIMENSIONS OF LUMINAIRE [mm]:



	ØA1	A2
ERIS V2, CV2	340	100
ERIS V3, CV3	445	110
ERIS V4, CV4	540	120

MOUNTING DIMENSIONS [mm]:



	ØA
ERIS V2, CV2	278
ERIS V3, CV3	375
ERIS V4, CV4	470

