

# GALAXIA L1



12x ALTAIR 25Z

## TECHNICAL DATA

Light source	LED module Osmont L35C	incandescent lamp
Chromacity temperature	3000K, 4000K	by source
CRI	3000K Ra>80, 4000K Ra>80	by source
Lifetime of LED	50 000 hod / L80B10 (ambient temperature 25°C)	by source
Power source	Tridonic	-
Photobiological safety of lamps by EN 62471 (Blue light hazard)	safe (Risk group – 0)	by source
Energy class	A++	by source
Input voltage	230V	
IP	IP 40	
Ambient temperature	from -20°C to +30°C	
Warranty	5 years	
Fixture	metal	
Color of fixture	white	
Shade	three layers glass with matt surface	
Shade attachment	with folding holders	
Mounting	ceiling	
Connection of the bases and lighting fittings	screws	
Interconnection of the set	by the connecting cables through side corridors	
Pendant	steel wire pendant 2000mm (L200)	
Applications	cultural premises	

## VARIANTS

LED:

Type	Input [W]	Luminous flux LED [lm]		Luminous flux of luminaire [lm]		Possibility	
		3000K	4000K	3000K	4000K	DIM (DALI)	2 circuits
12xLED-1L35C07USZ21/421/L200_000	252	33240	35040	25320	26640	*	*

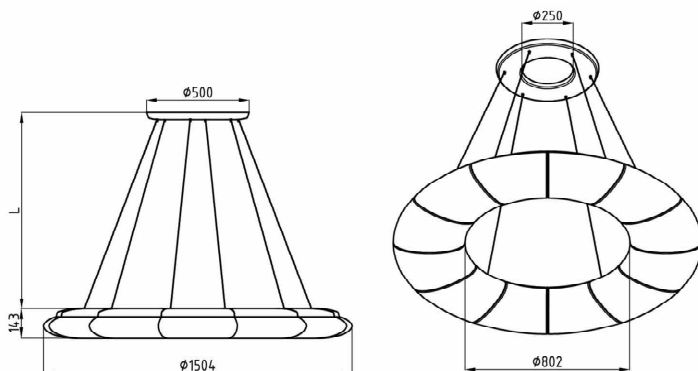
.000 – 3000K or 4000K

STANDARD:

Type	Input [W]	Socket
12xIN-22USZ21/421/L200	24x40	24xE27

## DIMENSIONS

DIMENSIONS OF LUMINAIRE [mm]:



MOUNTING DIMENSIONS [mm]:

