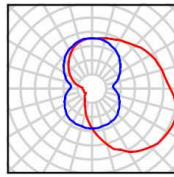
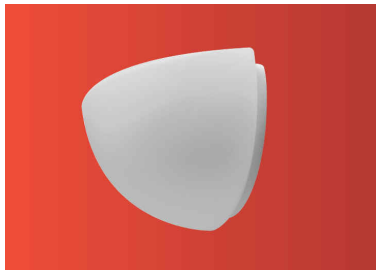


NELA 1,2,3



TECHNICAL DATA

Light source	LED module Osmont L26B, L41B	incandescent lamp
Chromacity temperature	3000K, 4000K	by source
CRI	3000K Ra>80, 4000K Ra>80	by source
Power source	Tridonic	-
Lifetime of LED	50 000 hod / L80B10 (ambient temperature 25°C)	by source
Energy class	A++	by source
Photobiological safety of lamps by EN 62471 (Blue light hazard)	safe (Risk group – 0)	by source
Input voltage	230V	
IP	IP43	
Ambient temperature	from -20°C to +30°C	
Warranty	5 years	
Fixture	metal	
Color of fixture	white	
Shade	three layers glass with matt surface	
Shade attachment	with screw	
Mounting	wall	
Applications	housing constructions (rooms, corridors), cultural premises	

VARIANTS

LED:

	Type	Input [W]	Luminous flux LED [lm]		Luminous flux of luminaire [lm]	
			3000K	4000K	3000K	4000K
NELA 1	LED-1L26B07U5/244.000	8	970	1010	630	660
NELA 2	LED-1L41B07U7/264.000	15	1940	2030	1260	1320
NELA 3	LED-1L41B07U7/268.000	15	1940	2030	1340	1400

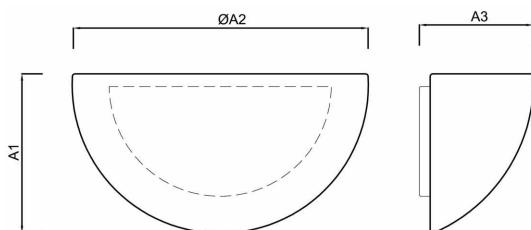
.000 – 3000K or 4000K

STANDARD:

	Type	Input [W]	Socket	Possibility
				Sensor (HF)
NELA 1	IN-12U5/244	60	E27	-
NELA 2	IN-12U7/264	100	E27	• (1x60W)
	IN-22U7/264	2x60	2xE27	-
NELA 3	IN-22U7/268	2x60	E27	• (1x60W)

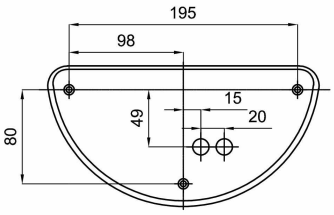
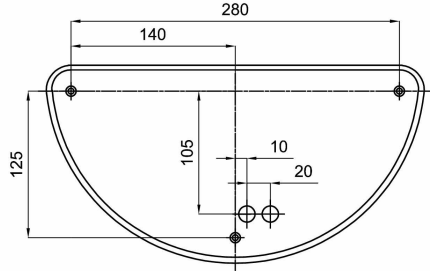
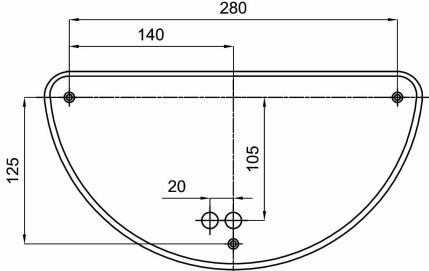
DIMENSIONS

DIMENSIONS OF LUMINAIRE [mm]:



	A1	ØA2	A3
NELA 1	140	250	105
NELA 2	190	350	150
NELA 3	190	350	200

MOUNTING DIMENSIONS [mm]:

<p>NELA 1</p>		
<p>NELA 2,3</p>		
	<p>IN-...</p>	<p>LED-...</p>