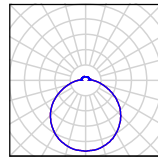


SAGITA 1,2



TECHNICAL DATA

Light source	LED module Osmont L14B, L14C, L16B, L16C	incandescent lamp
Chromacity temperature	3000K, 4000K	by source
CRI	3000K Ra>80, 4000K Ra>80	by source
Power source	Tridonic	-
Lifetime of LED	50 000 hrs / L80B10 (ambient temperature 25°C)	by source
Energy class	A++	by source
Photobiological safety of lamps by EN 62471 (Blue light hazard)	safe (Risk group – 0)	by source
Input voltage	230V	
IP	IP44, IP54 (LED)	
Ambient temperature	from -20°C to +30°C	
Shock resistance	IK10 (shade PC)	
Warranty	5 years	
Fixture	metal	
Color of fixture	white	
Shade	opal polycarbonate (PC)	
Shade attachment	with folding holders	
Mounting	wall, ceiling	
Applications	housing constructions (rooms, corridors), cultural premises	

VARIANTS

LED:

Type	Input [W]	Luminous flux LED [lm]		Luminous flux of luminaire [lm]		Number of LED drivers	Possibility			
		3000K	4000K	3000K	4000K		Sensor (HF)	DIM (DALI)	Corridor (DALI+HF)	
SAGITA 1	LED-1L14C03KN62/PC52.000	15	2000	2110	1420	1500	1	*	*	-
	LED-1L14B07KN62/PC52.000	20	2590	2700	1840	1920	1	*	*	-
SAGITA 2	LED-1L16C07KN83/PC53.000	28	3690	3890	2400	2530	1	*	*	*
	LED-1L16B07KN83/PC53.000	36	4850	5070	3150	3300	1	*	*	*

.000 – 3000K or 4000K

LED emergency combined:

Type	Input [W]	Luminous flux LED [lm]		Luminous flux of luminaire [lm]		Luminous flux LED in emergency mode		T [hrs]	
		3000K	4000K	3000K	4000K	[%]	[lm]		
SAGITA 1	LED-1L14C03KN62/PC52/NK1W.000	15	2000	2110	1420	1500	7	150	3
	LED-1L14B07KN62/PC52/NK1W.000	20	2590	2700	1840	1920	6	150	3
SAGITA 2	LED-1L16C07KN83/PC53/NK1W.000	28	3690	3890	2400	2530	4	150	3
	LED-1L16B07KN83/PC53/NK1W.000	36	4850	5070	3150	3300	3	150	3

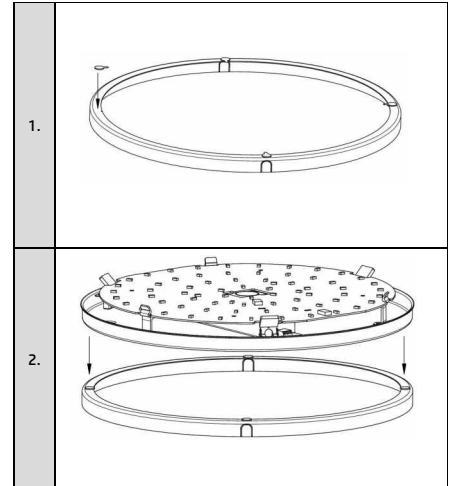
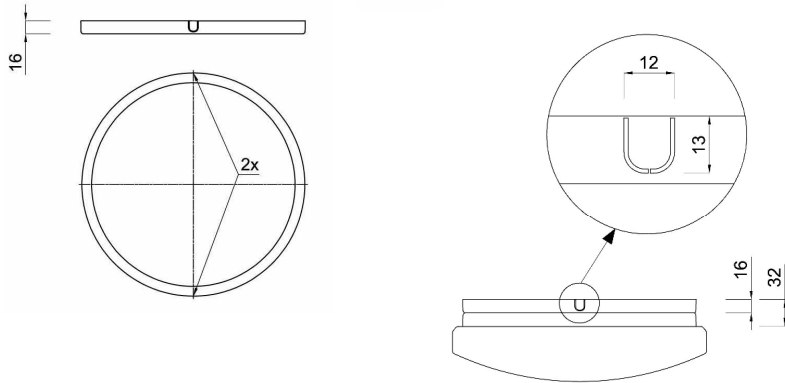
.000 – 3000K or 4000K

STANDARD:

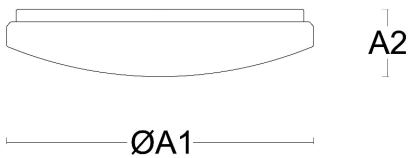
Type	Input [W]	Socket	Possibility	
			Sensor (HF)	
SAGITA 1	IN-12KN62/PC52	60	E27	*
SAGITA 2	IN-22KN83/PC53	2x40	2xE27	• (2x30W)

BASE
FOR SIDE SUPPLY

	BASE
SAGITA 1	•
SAGITA 2	•



DIMENSIONS
DIMENSIONS OF LUMINAIRE [mm]:



	ØA1	A2
SAGITA 1	300	81
SAGITA 2	400	86

MOUNTING DIMENSIONS [mm]:

