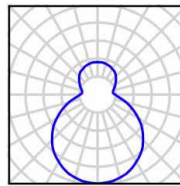


SATURN LE 1,2



TECHNICAL DATA

Light source	LED module Osmont L61C, L62C
Chromacity temperature	3000K, 4000K
CRI	3000K Ra>80, 4000K Ra>80
Lifetime of LED	50 000 hod / L80B10 (ambient temperature 25°C)
Power source	Tridonic
Photobiological safety of lamps by EN 62471 (Blue light hazard)	safe (Risk group – 0)
Energy class	A++
Input voltage	230V
IP	IP20
Ambient temperature	from -20°C to +30°C
Warranty	5 years
Pendant	3 wires which are used as the power supply as well
Color	silver, black
Shade	three layers glass with matt surface
Shade attachment	with folding holders
Mounting	ceiling
Applications	residential and office spaces

VARIANTS

LED:

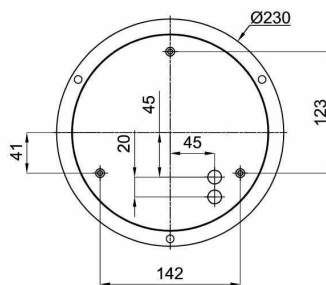
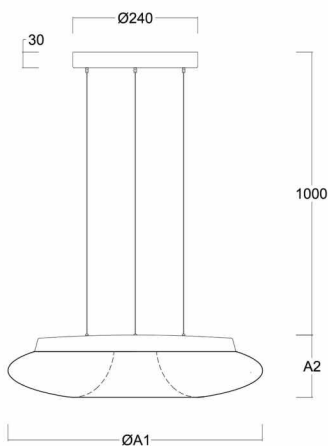
	Type	Input [W]	Luminous flux LED [lm]		Luminous flux of luminaire [lm]		Possibility DIM (DALI)
			3000K	4000K	3000K	4000K	
SATURN LE1	LED-1L61C03ZLE11/462/L100 x.000	18	2270	2390	1540	1630	-
SATURN LE2	LED-1L62C07ZLE11/482/L100 x.000	33	4230	4460	2880	3030	•

x – color (S – silver, C – black)
.000 – 3000K or 4000K

DIMENSIONS

DIMENSIONS OF LUMINAIRE [mm]:

MOUNTING DIMENSIONS [mm]:



	ØA1	A2
SATURN LE1	350	105
SATURN LE2	490	130