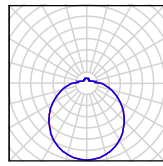


TITAN L4, L5



TECHNICAL DATA

Light source	LED module Osmont L51B, L52B	incandescent lamp
Chromacity temperature	3000K, 4000K	by source
CRI	3000K Ra>80, 4000K Ra>80	by source
Lifetime of LED	50 000 hod / L80B10 (ambient temperature 25°C)	by source
Power source	Tridonic	-
Photobiological safety of lamps by EN 62471 (Blue light hazard)	safe (Risk group – 0)	by source
Energy class	A++	by source
Input voltage	230V	
IP	IP40	
Ambient temperature	from -20°C to +30°C	
Warranty	5 years	
Pendant	3 wire, length 1m	
Color	white	
Shade	opal polymethylmetacrylate (PM)	
Shade attachment	with folding holders	
Mounting	ceiling	
Applications	residential and office spaces	

VARIANTS

LED:

	Type	Input [W]	Luminous flux LED [lm]		Luminous flux of luminaire [lm]		Number of LED drivers	Possibility DIM (DALI)
			3000K	4000K	3000K	4000K		
TITAN L4	LED-6L51B07ZL11/PM10/L100.000	68	10210	10670	6740	7040	2	•
	LED-6L51B09ZL11/PM10/L100.000	94	13440	14040	8870	9270	2	•
TITAN L5	LED-9L52B07ZL11/PM11/L100.000	104	15310	16000	10720	11200	3	•
	LED-9L52B10ZL11/PM11/L100.000	165	22180	23170	15530	16220	3	•

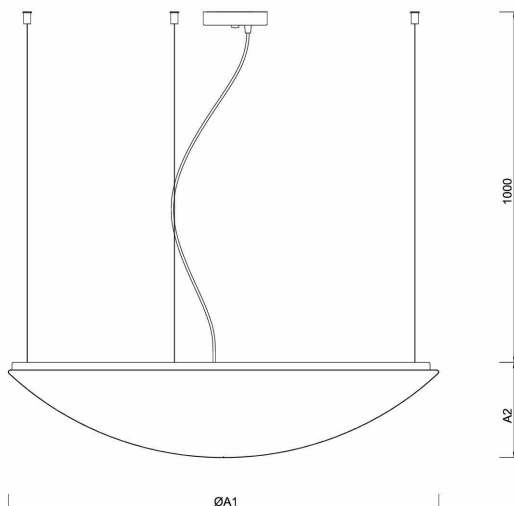
.000 – 3000K or 4000K

STANDARD:

	Type	Input [W]	Socket
TITAN L4	IN-42ZL11/PM10/L100	4x40	4xE27
TITAN L5	IN-62ZL11/PM11/L100	6x40	6xE27

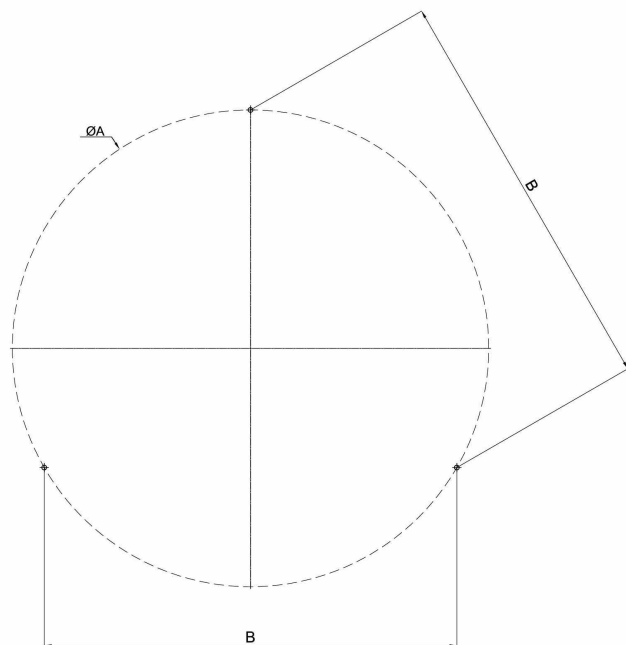
DIMENSIONS

DIMENSIONS OF LUMINAIRE [mm]:

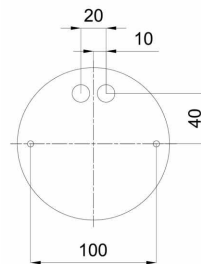


	ØA1	A2
TITAN L4	650	150
TITAN L5	900	200

MOUNTING DIMENSIONS OF WIRE PENDANT [mm]:



MOUNTING DIMENSIONS OF CEILING COVER [mm]:



	ØA	B
TITAN L4	550	476
TITAN L5	780	675,5